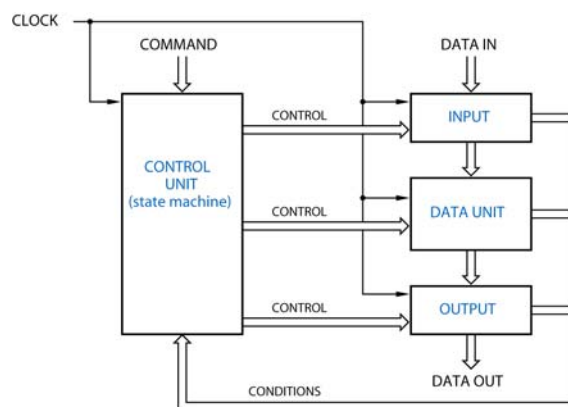
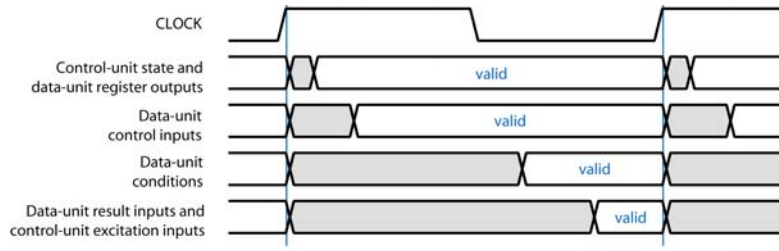


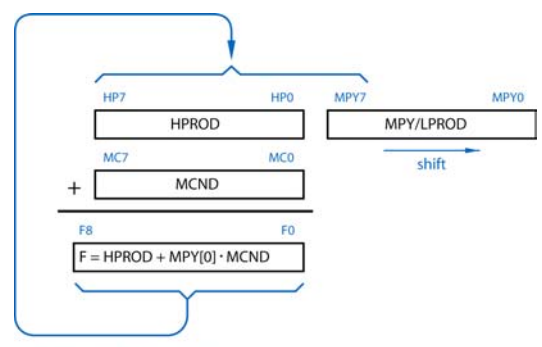
ENGR 212 / CSCI 310

5 April, 2002





Copyright © 2000 by Prentice Hall, Inc.
 Digital Design Principles and Practices, 3/e



Copyright © 2000 by Prentice Hall, Inc.
 Digital Design Principles and Practices, 3/e

